

BUTTERFLY VALVE WITH HANDLE

BUTTERFLY VALVE - DUCTILE IRON BODY WITH HANDLE - BETWEEN FLANGES PN10/16

APPLICATION

VPG butterfly valves are intended for ON/OFF or control use in fluid transfer circuits.

- **Area of use:** water supply, water treatment, pumping, irrigation, industry.



- **Fluids :** cold water, hot water, drinking water.
«Not suitable for steam application»

GENERAL CHARACTERISTICS

Range : from DN40 to DN300.

- Design according to NF EN 593.
- Type with smooth ears
- Sealing in both directions of circulation of the piping.
- Soft sleeve guaranteeing a perfect tightness.
- Extended neck compatible with pipe lapping
- Disc profiled and reduced in thickness
- Reduced maneuvering torque.
- Coupling stem on disc assembled by conical pin.
- Reduced head losses.
- Notched sector providing 10 positions of adjustment of the handle.
- ISO 5211 mounting plate.

STANDARDS

Design	Manufacture according to the requirements of the European directive 2014/68/UE «Equipment under pressure»: modulate H.
Face to face	Face to face according to standards NF EN 558-1 serie 20, ISO 5272 serie 20, DIN 3202.
Connection	Mounting between flanges ISO PN10/16 according to EN1092-2 and GOST PN10/16. Adjustable between flanges ASME B16.5 Class 150.
Tests	Pressure test according to standards EN12266-1, DIN 3230 and ISO 5208: -Body : 24 bar -Seat : 17.6 bar

PRODUCT APPROVALS



ACS Health compliance certificate n° 22 ACC LY 475

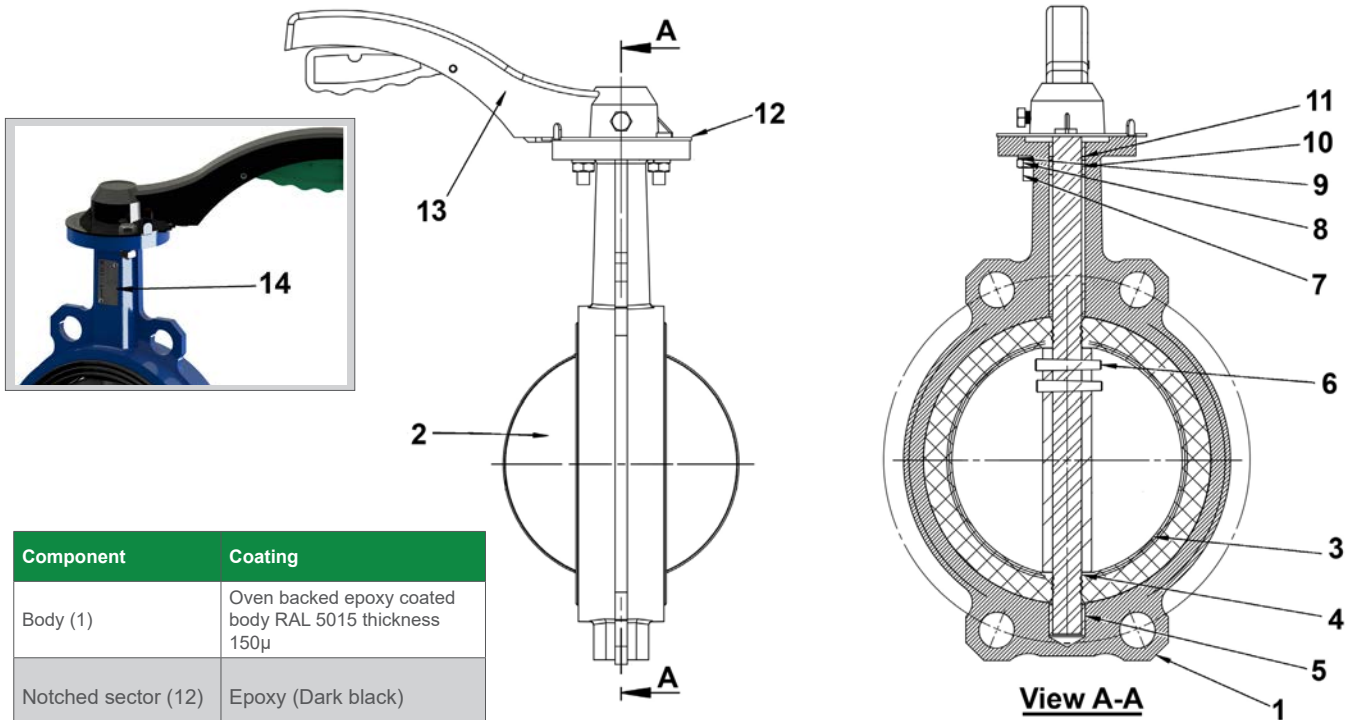
Ex on request



ACS

BUTTERFLY VALVE WITH HANDLE

CONSTRUCTION



Component	Coating
Body (1)	Oven backed epoxy coated body RAL 5015 thickness 150µ
Notched sector (12)	Epoxy (Dark black)
Handle (13)	Epoxy (Dark black) + époxy RAL6024 on lever

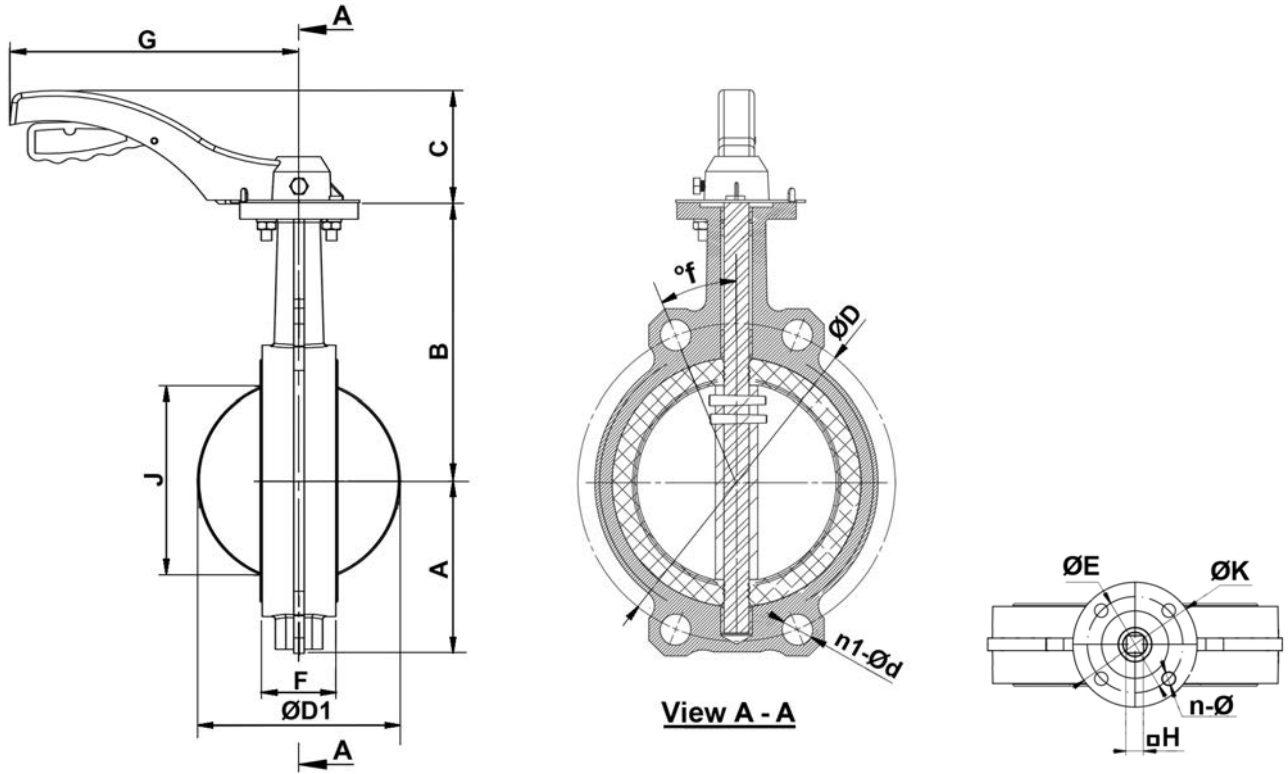
Pos.	Q-ty	Description	Material	Equivalences		
				DIN	ASTM	BS
1	1	Body	Ductile iron EN-GJS-400-15	GGG40	A536 65-45-12	EN-JS1030
2	1	Disc	Stainless steel 316			
3	1	Sleeve	ACS EPDM			
4	1	Stem	Stainless steel 420	X20Cr13		
5	2	Bushing	PTFE			
6	n	Pin	Stainless steel 420	X20Cr13		
7	2	Screw	Stainless steel 201			
8	2	Nut	Stainless steel 201			
9	2	Washer	Stainless steel 201			
10	2	Bushing	PTFE			
11	1	O ring	EPDM			
12	1	Notched sector	Steel			
13	1	Handle	Aluminium (DN40-150) Ductile iron (DN200-300)			
14	1	Nameplate	Stainless steel 304			

n=1 (DN40-125); 2 (DN150-300)

The photographs and technical art works are not contractual. The specifications of the presented products are open to modifications without previous advice.



DIMENSIONS



DN		A	B	C	ØD	ØD1	n1-Ød	f°	ØE	F	ØK	J	n-Ø	G	H	Torque (Nm)	Weight (kg)
mm	inch																
40	1"1/2	60	120	75	110	43	4-Ø19	45°	50	33	65	29	4-Ø7	170	9	12	1.6
50	2"	60	128	78	125	53	4-Ø19	45°	50	43	65	31	4-Ø7	170	9	16	2.1
65	2"1/2	72.5	140	78	145	65	4-Ø19	45°	50	45	65	46	4-Ø7	170	9	18	2.5
80	3"	91	148	78	160	79	4-Ø19	45°	50	45	65	64	4-Ø7	170	9	25	3
100	4"	108	165	78	180	105	4-Ø19	22.5°	50	52	65	91	4-Ø7	170	11	42	4.7
125	5"	121	175	98	210	124	4-Ø20	22.5°	70	56	90	111	4-Ø10	215	14	65	6
150	6"	131	199	98	240	155	4-Ø23	22.5°	70	56	90	144	4-Ø10	215	14	110	7.3
200	8"	163	220	93	295	203	4-Ø23	15°/22.5°	102	60	125	194	4-Ø12	350	17	200	12.9
250	10"	198	251	93	350/355	251	4-Ø28	15°	102	68	125	242	4-Ø12	350	22	330	19
300	12"	231	288	109	400/410	302	4-Ø28	15°	102	78	125	292	4-Ø12	500	22	500	30

The smooth holes are oblong on the DN40, DN200 et DN300 (Radius 12 mm et 13.5 mm)

WORKING CONDITIONS

Maximum working pressure : 16 bar

Maximum vacuum pressure : 0.8 bar for 10 minutes (vacuum tests performed in October 2021, valve tested open at -0.8 bar for 10 minutes)

Maximum working temperature : -10°C / +110°C



The photographs and technical art works are not contractual. The specifications of the presented products are open to modifications without previous advice.

NI